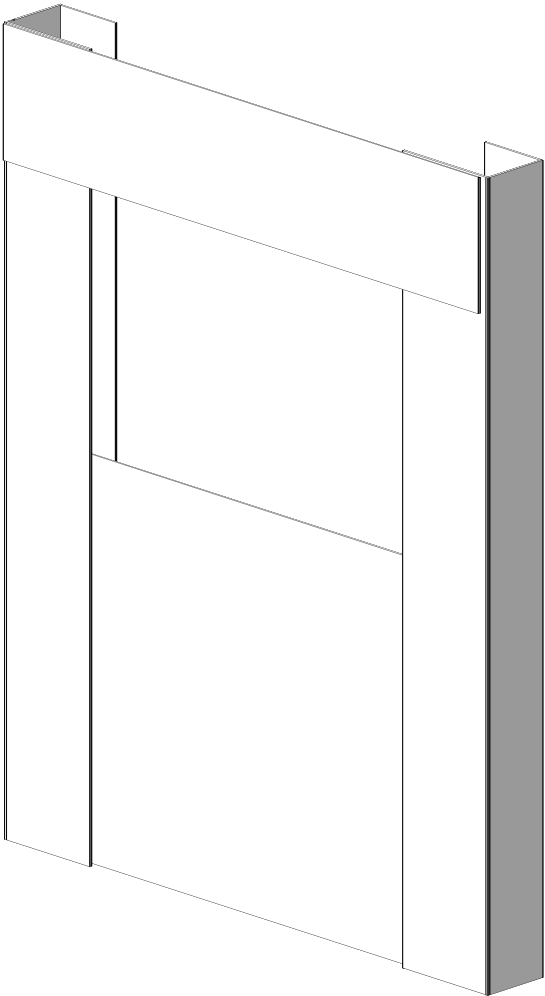


# Puppet Theatre



- cut line
- . - . - . - . - . score and fold in on score (after compressing cut)
- - - - - score and fold out
- ..... draw line
- apply velcro dot on facing surface
- + velcro dot "target area" on facing surface
- apply velcro dot on reverse surface
- ⊕ velcro dot "target area" on reverse surface

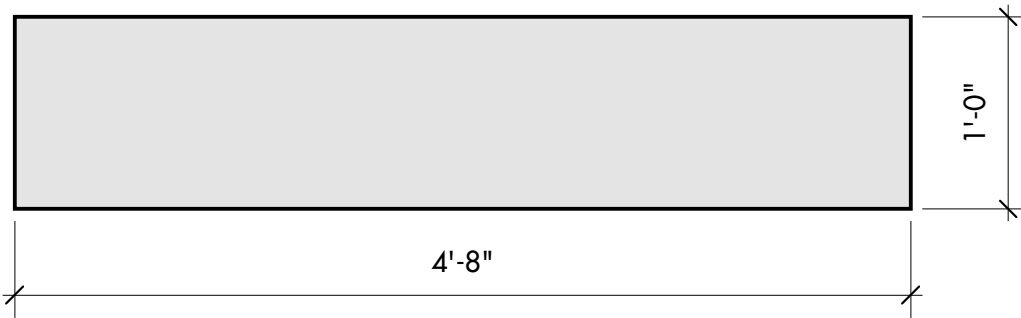
**INSTRUCTIONS:**

Cut shapes as indicated out of corrugated cardboard (we have used sheets that are 50" x 104" in our layouts)  
 Attach velcro dots (3/4" diameter works well) as indicated on the drawings ("Target area" symbols are for reference only)  
 Assemble as indicated on the drawing above  
 Attach curtain to top piece (we have hung it on a 3/4" diameter PVC pipe and tie back with string)

**Top - visible face**

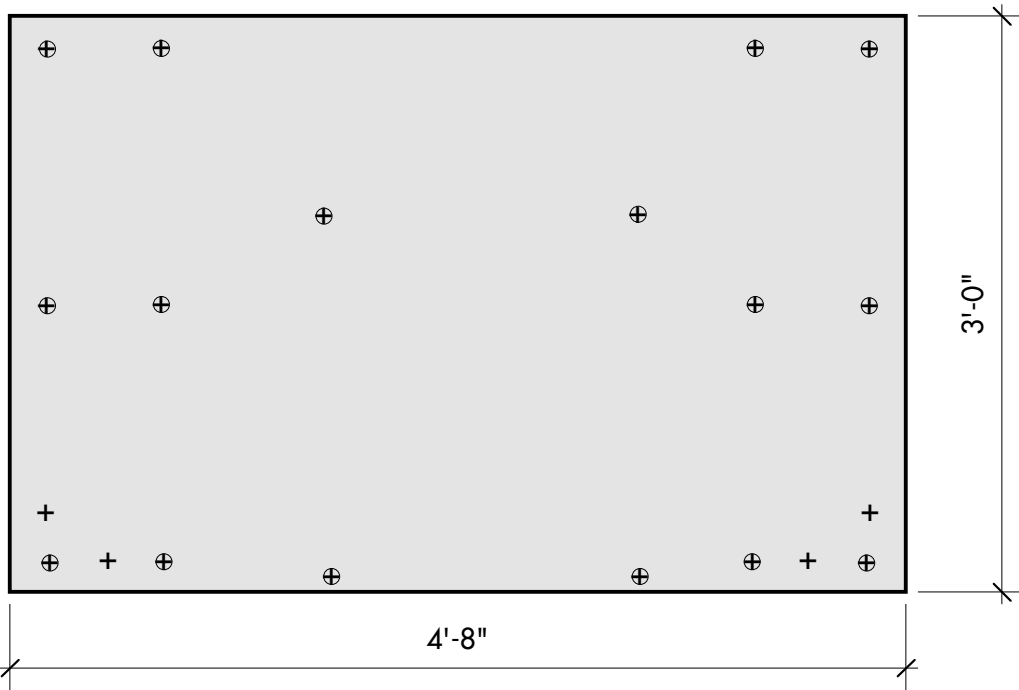
---

scale: 1" = 1'0"



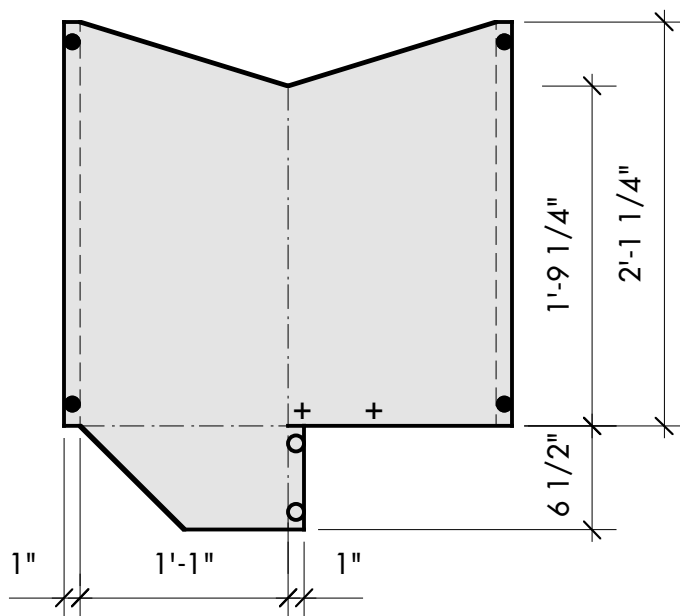
### Bottom - visible face

scale: 1" = 1'0"



### Doors - back face

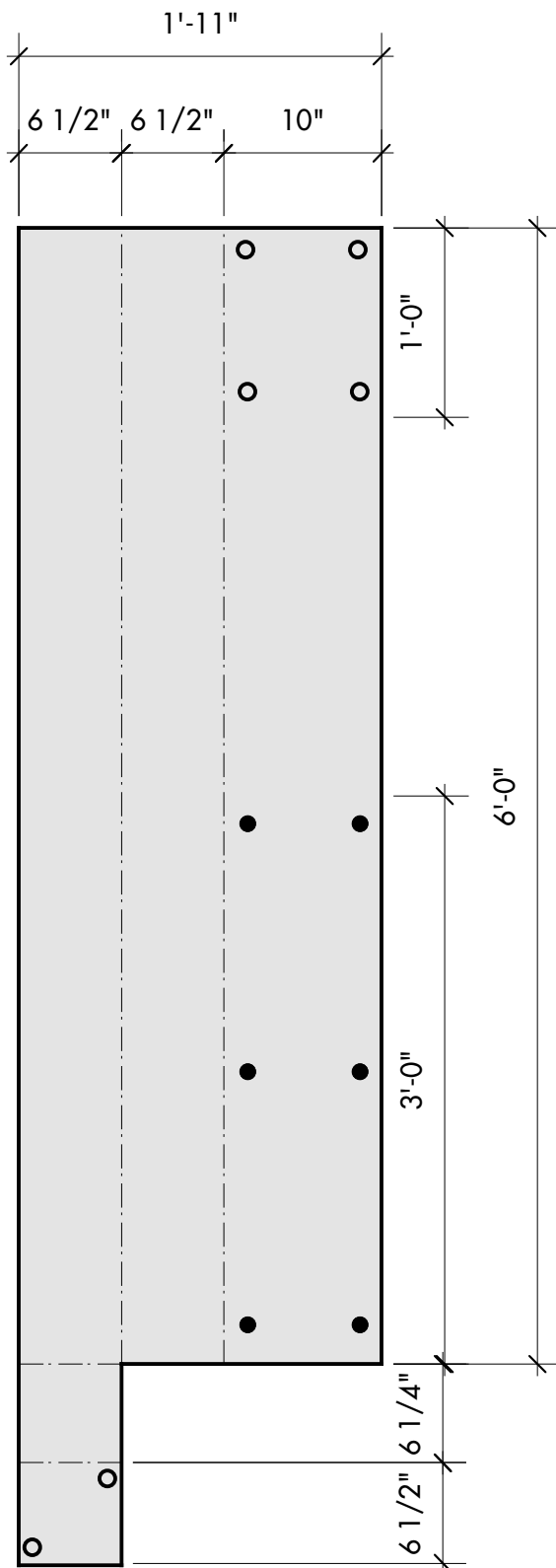
scale: 1" = 1'0"



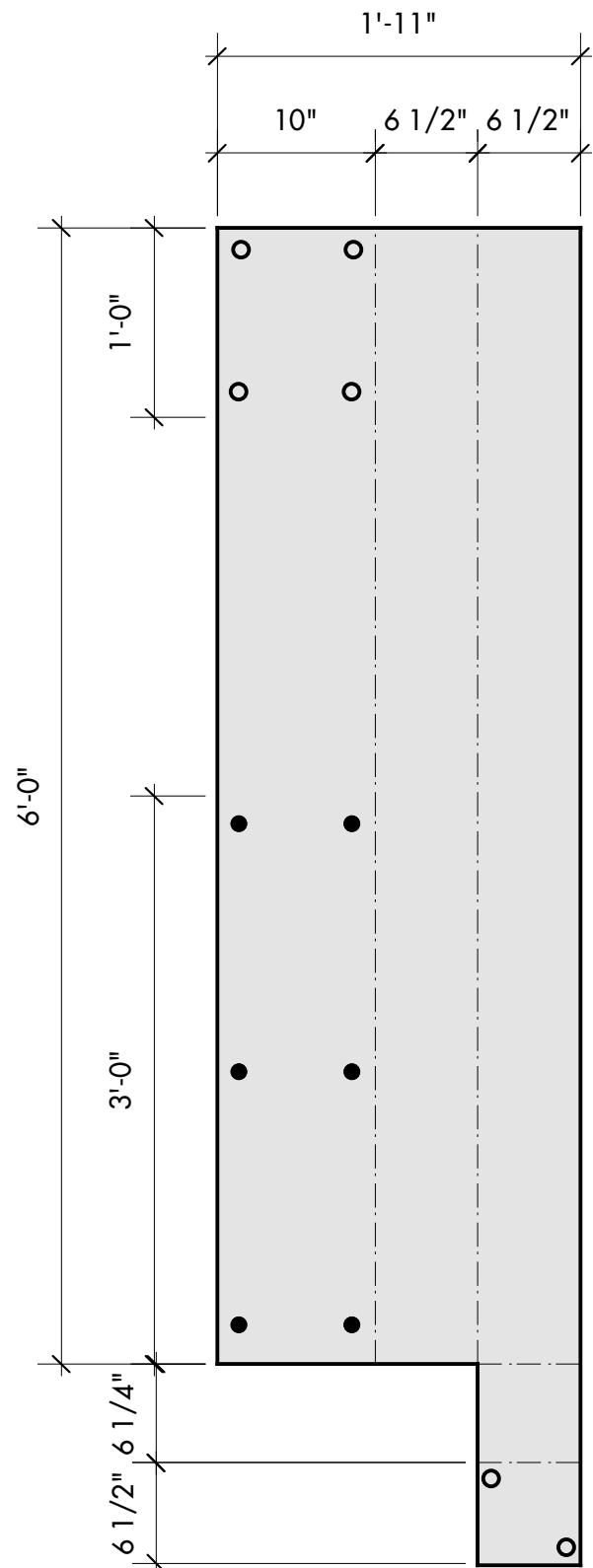
Sides - visible side

scale: 1" = 1'0"

left side



right side



# Layouts

scale:  $3/4" = 1'0"$

